



UL Cybersecurity Assurance Program (CAP)

UL Cybersecurity Assurance Program (CAP)

- Standards-based program
- Evaluate cybersecurity posture of software in network-connectable products
- Provide a reasonable level of confidence in the absence of vulnerabilities and software weaknesses and the presence of appropriate risk controls

Client Needs Vary



Test and Certify
Products and Systems

**WHAT WE DO FOR
OUR CLIENTS**

01

ADVISE

- Filter noise
- GAP assessments
- Help quantify ROI and understand risks to safety

EDUCATE

02

EVALUATE

- Product security assessments
- Preparation for certification
- Product and systems qualification

SUPPORT

03

CERTIFY

- Differentiate early adopters
- Validate ROI
- Brand reputation

PARTNER

Manufacturer's Cybersecurity Maturity



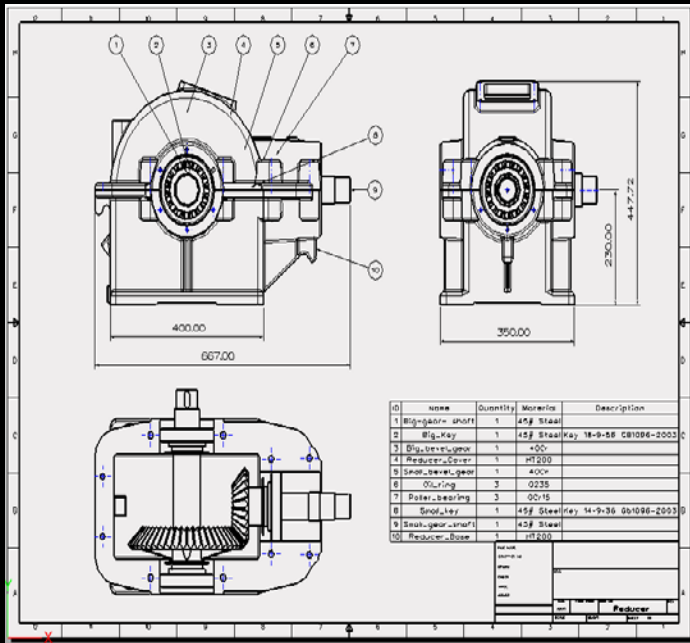
The Solution

- Foundation in industry best practices
- Focus on common themes applicable across multiple industries
- Risk-based / Not prescriptive
- Industry achievable
- Cross-industry applicability

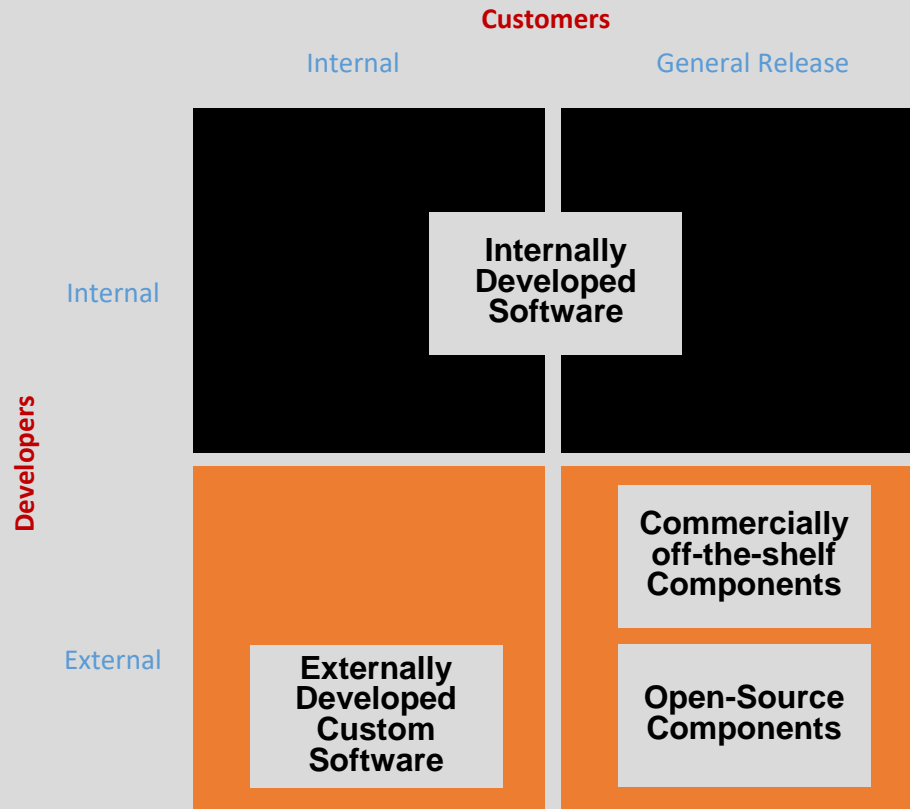


Products & Systems Have 2 Bill of Materials

Hardware BILL OF MATERIALS (BOM)



Software BILL OF MATERIALS (SBOM)



UL CAP Product Assessment Criteria

STRUCTURED PENETRATION TESTING

Product Assessment

Software
Composition
Analysis



Fuzzing



Static Code
Analysis



Security
Controls



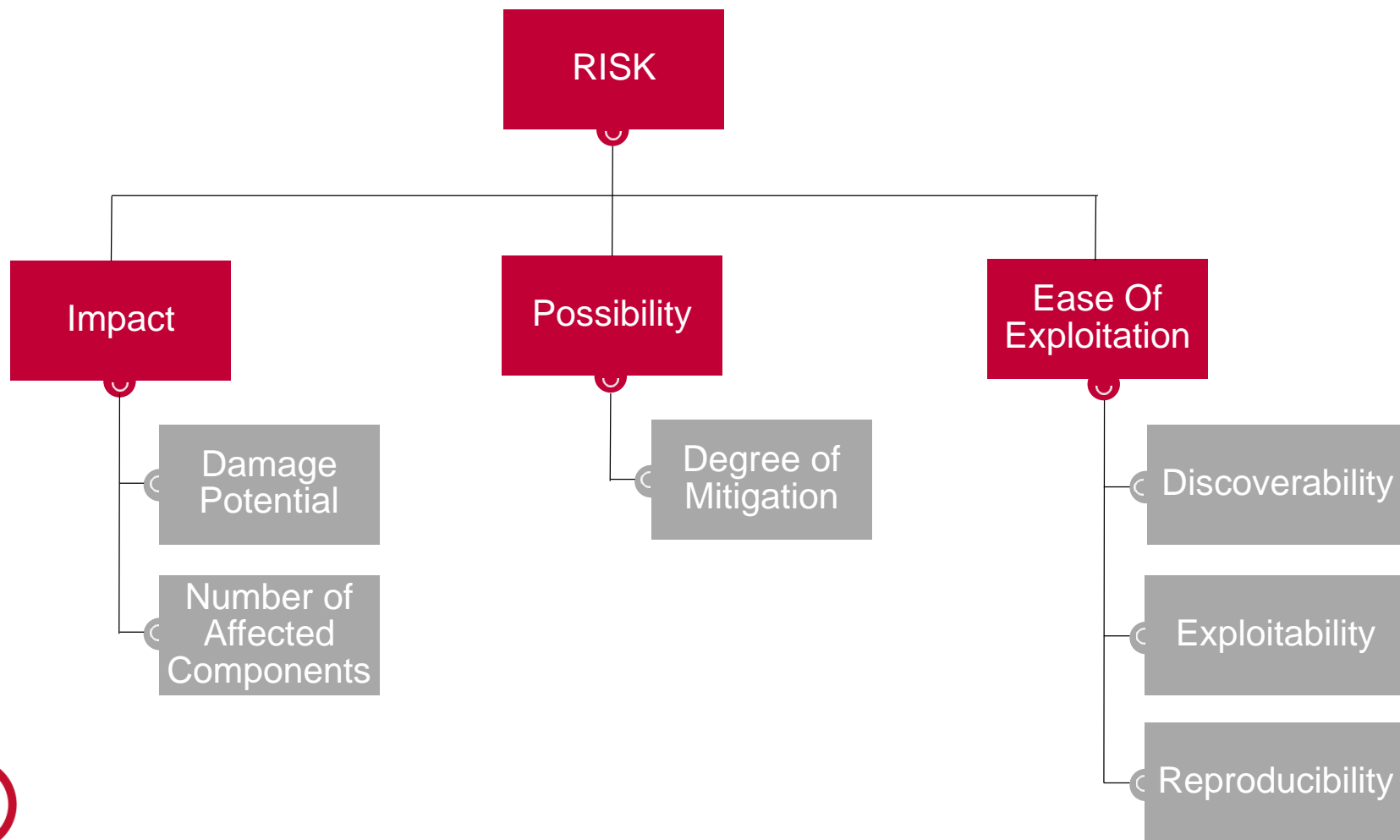
Risk Management

Risk
Management
Process



Understanding Security Risks Using Risk Management

- Train a structured approach that enables you to identify, quantify, and address the security risks associated with an device, product or system.



Key Takeaways

NETWORK-CONNECTABLE PRODUCTS & SYSTEMS



YOUR NETWORK CONNECTABLE PRODUCT AND/OR SYSTEM

UL CAP Services

YOUR REPORT AND/OR CERTIFICATION

RISK MANAGEMENT

- Known Vulnerabilities
- Fuzz Testing
- Code & Binary Analysis
- Access Control & Authentication
- Cryptography
- Remote Communication
- Software Updates
- Structured Penetration Testing

TRAINING SERVICES

ADVISORY SERVICES

REVIEW SERVICES

Submit product or system for discrete testing (One or more individual tests)

Submit product or system for certification testing (All tests)

Test Report



Certificate



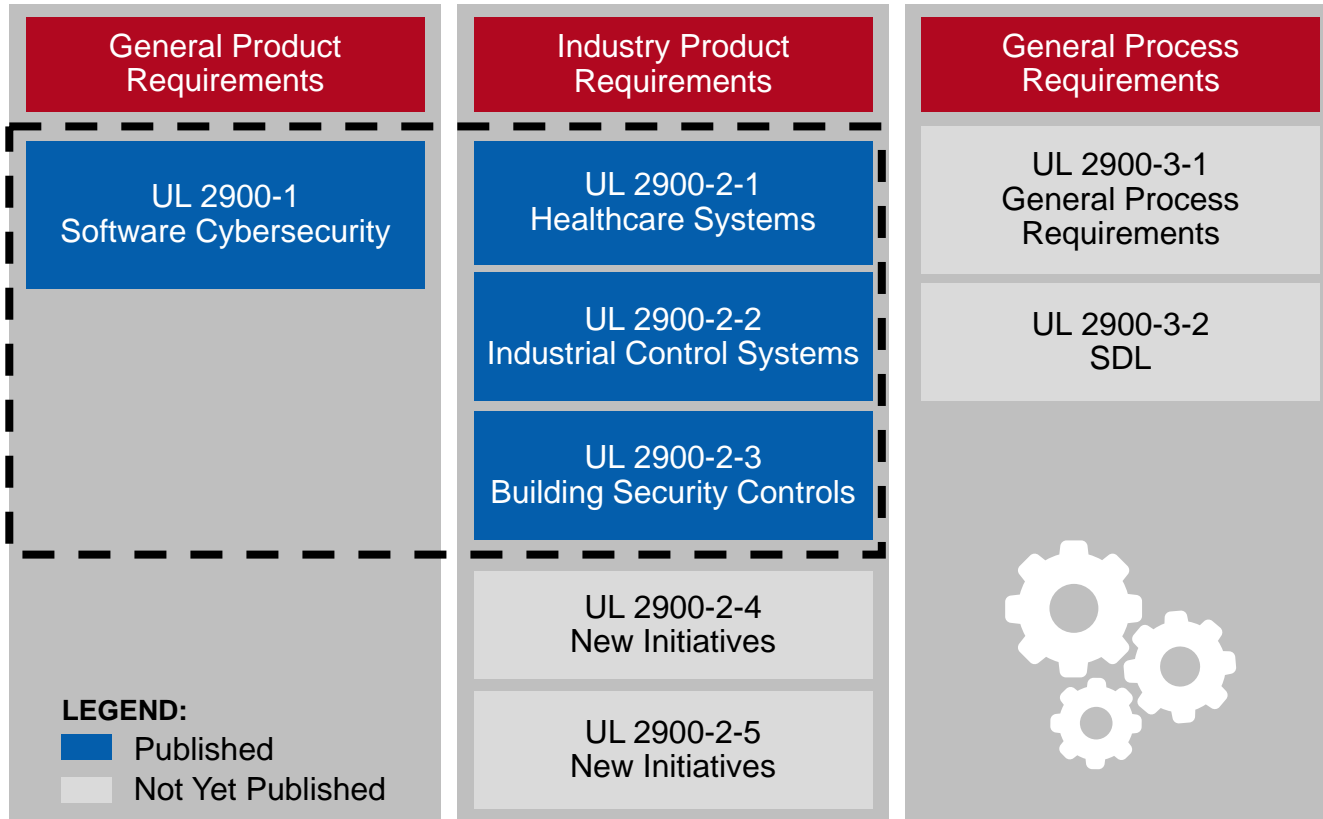
KEY TAKEAWAYS:

✓ RISK MITIGATION

✓ INNOVATION

✓ COMPETITIVE ADVANTAGE

UL 2900 Standards





Q&A

Jeff Barksdale
Jeff.Barksdale@UL.com
UL.com/cybersecurity